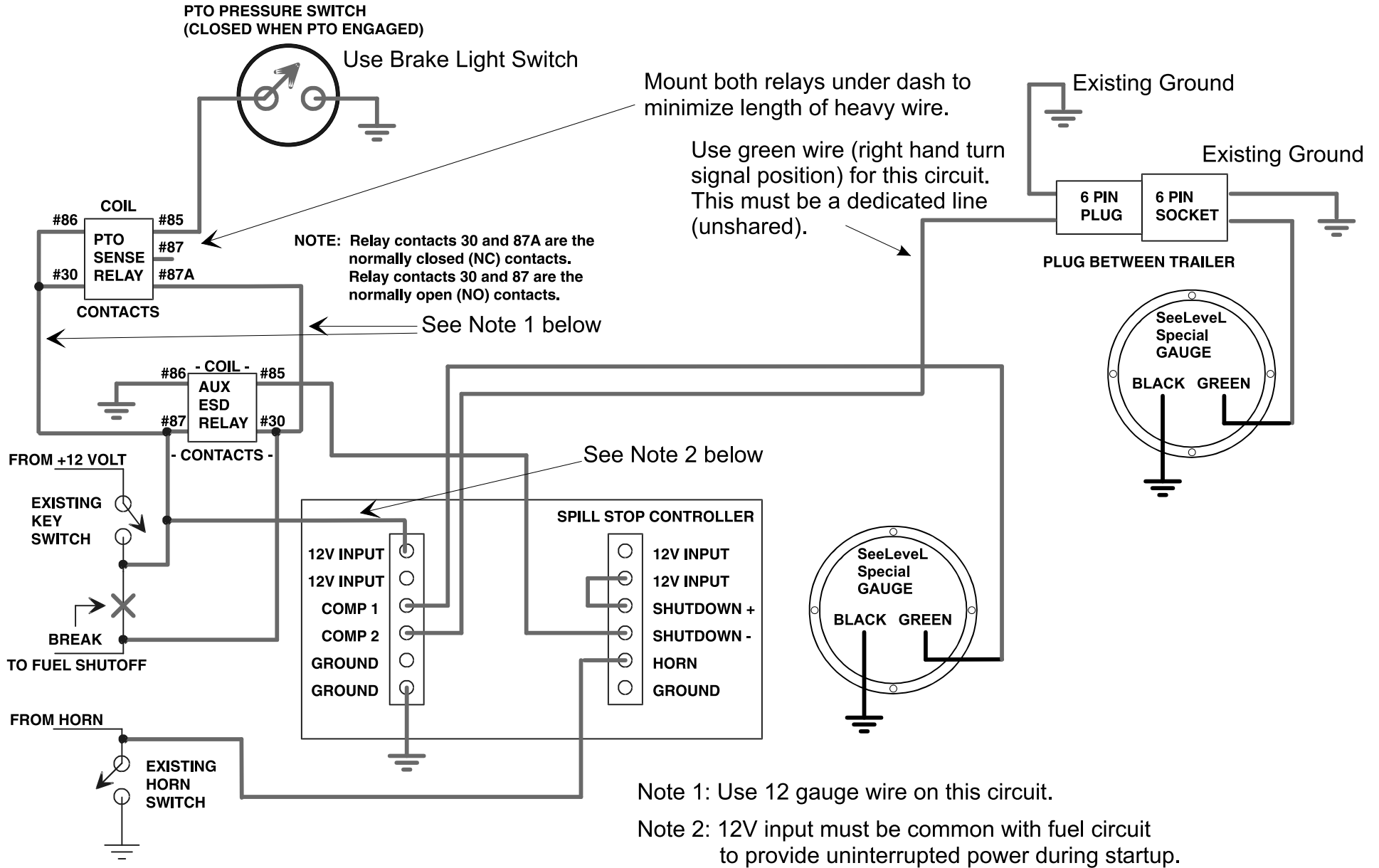


815 WIRING DIAGRAM-BODY TANK WITH PUP NO JUNCTION BOX



Note 1: Use 12 gauge wire on this circuit.

Note 2: 12V input must be common with fuel circuit to provide uninterrupted power during startup.