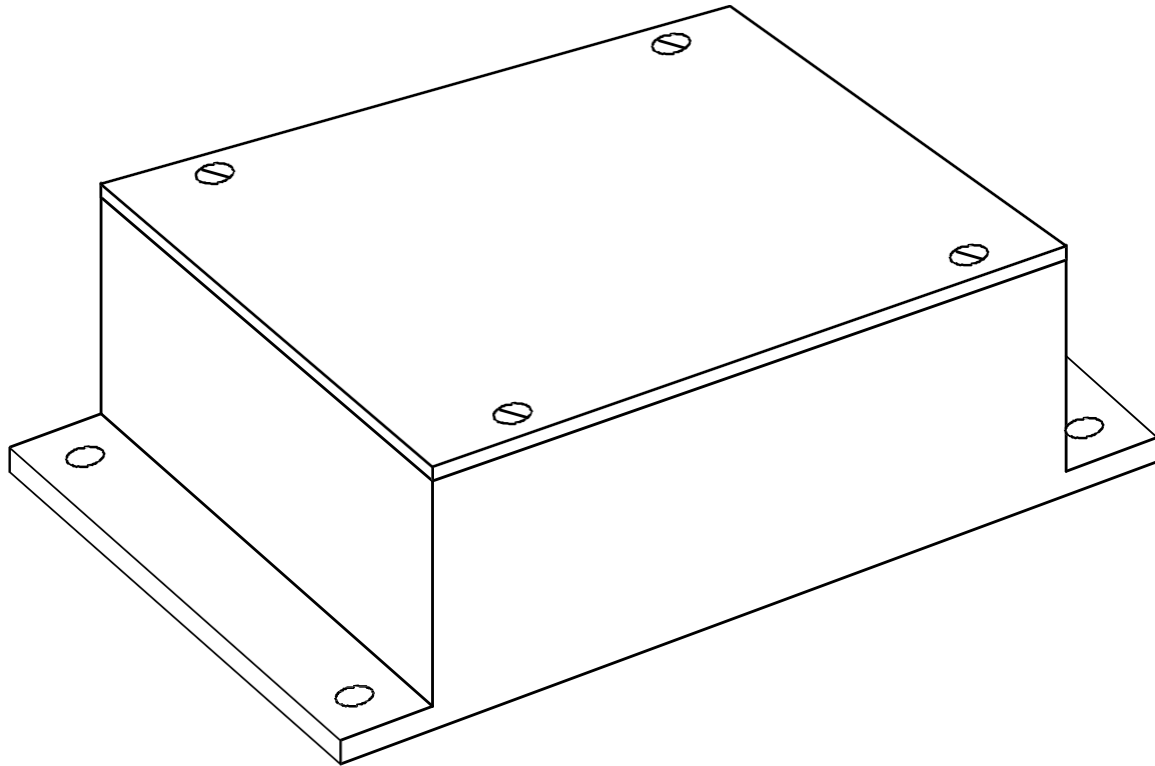


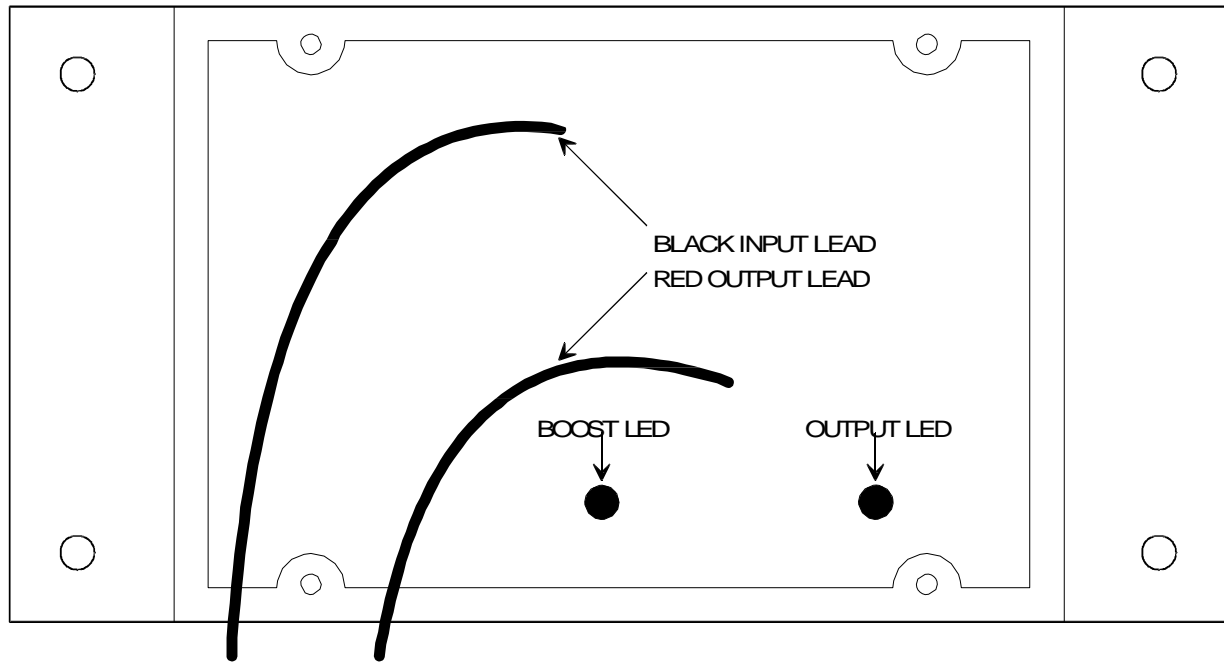
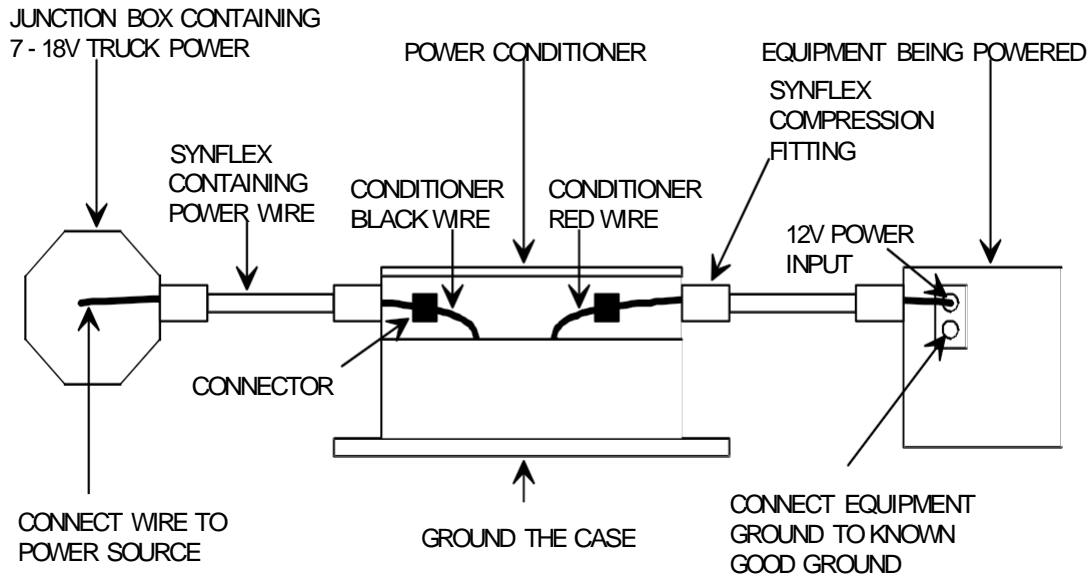
MODEL 200 TRUCK POWER CONDITIONER INSTALLATION GUIDE



PROCEDURE:

- 1) Select a suitable mounting location for the power conditioner. The unit should be mounted so that the wire going from the conditioner to the equipment being powered is reasonably short (less than 30 feet) and free of plug - socket combinations or circuit breakers. Avoid areas directly exposed to road spray.
- 2) Drill and tap holes for the size of brass compression fitting you wish to use. Avoid putting holes in the top of the enclosure and make certain that you do not drill into the encapsulation material.
- 3) Mount the conditioner using four 1/4" bolts and lock nuts. It is important that the case be well grounded; if this cannot be ensured run a ground wire from one of the mounting bolts to a known good ground.
- 4) Remove the conditioner lid and thread the appropriate sized compression fittings into the holes you drilled. Connect Synflex containing a power wire from the truck/trailer power source to the conditioner, and from the conditioner to the equipment being powered.
- 5) Using crimp connectors or solder, connect the wire coming from the truck power source to the conditioner black wire. Connect the wire going to the equipment being powered to the conditioner red wire.
- 6) Power up the truck and verify that both conditioner LEDs light. If not, refer to the LED INDICATOR MODES chart for troubleshooting information. When both LEDs are lit, ensure that the equipment being powered is operating. If not, check the wire connecting the conditioner and the equipment, and the equipment ground.
- 7) Ensure that the rubber gasket is in place and fasten down the lid using the 8-32 hardware provided. This completes the conditioner installation.

MODEL 200 CONNECTION DIAGRAMS



MODEL 200 LED INDICATOR MODES

BOOST LED	OUTPUT LED	MODE
ON	ON	Normal operation
ON	OFF	High voltage shutdown or output short circuit
DIM	OFF	Low voltage lockout
OFF	OFF	No power or reverse polarity to unit
OFF	ON	Input and output leads reversed